



**CLOSED MOTOR LINEAR STAGES** (CLICK FOR DATASHEETS)

AI-2500

AI-5000

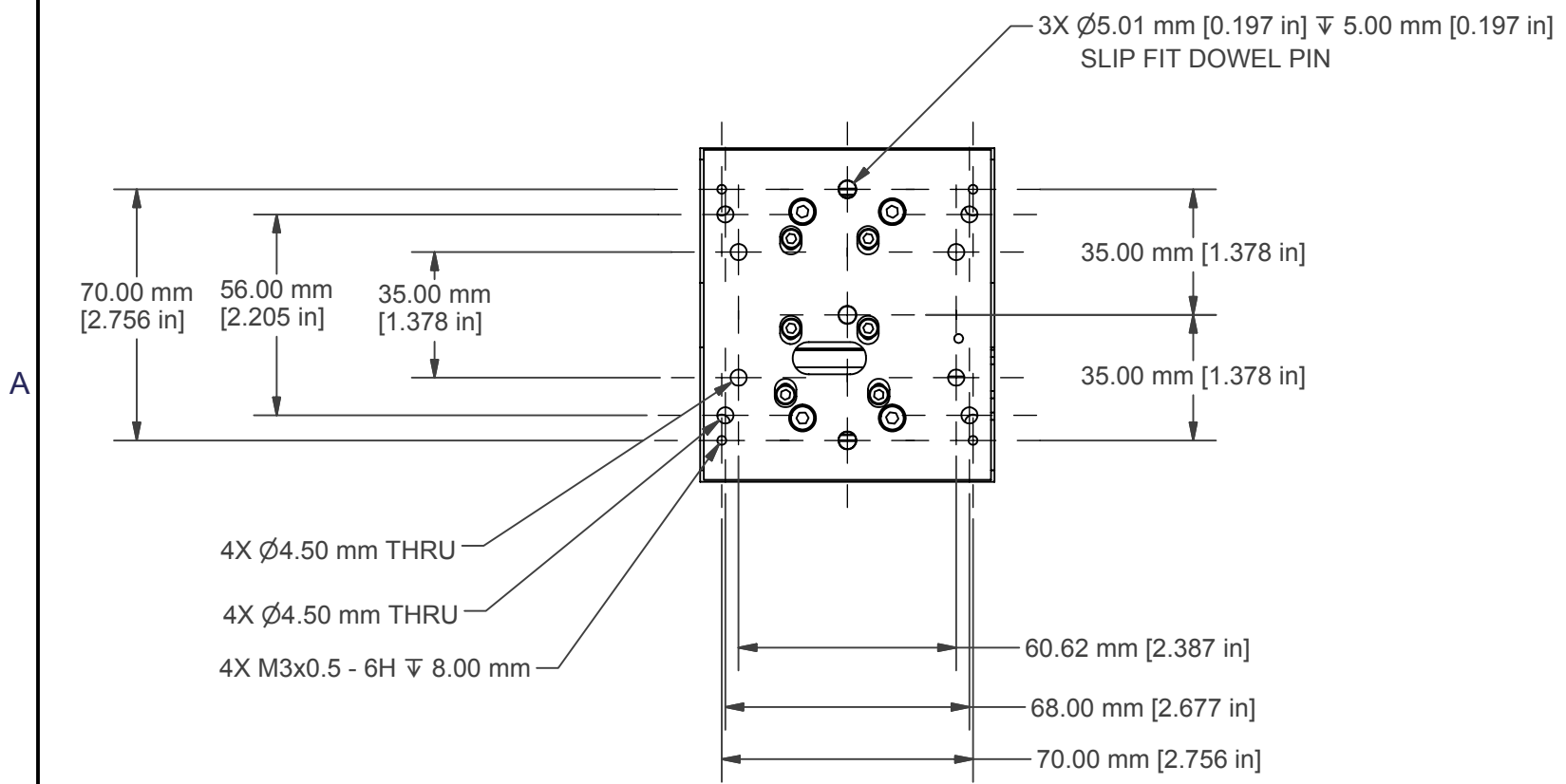
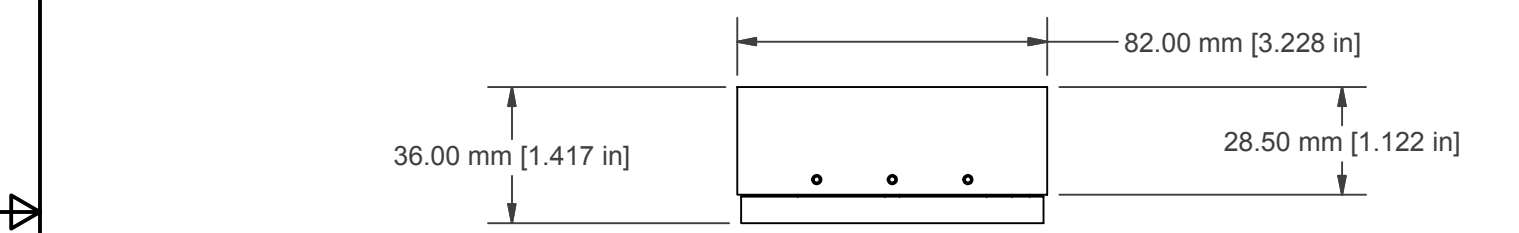
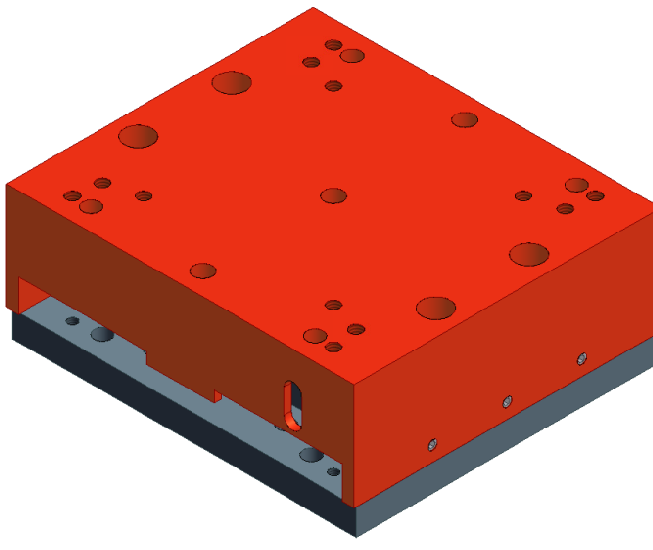
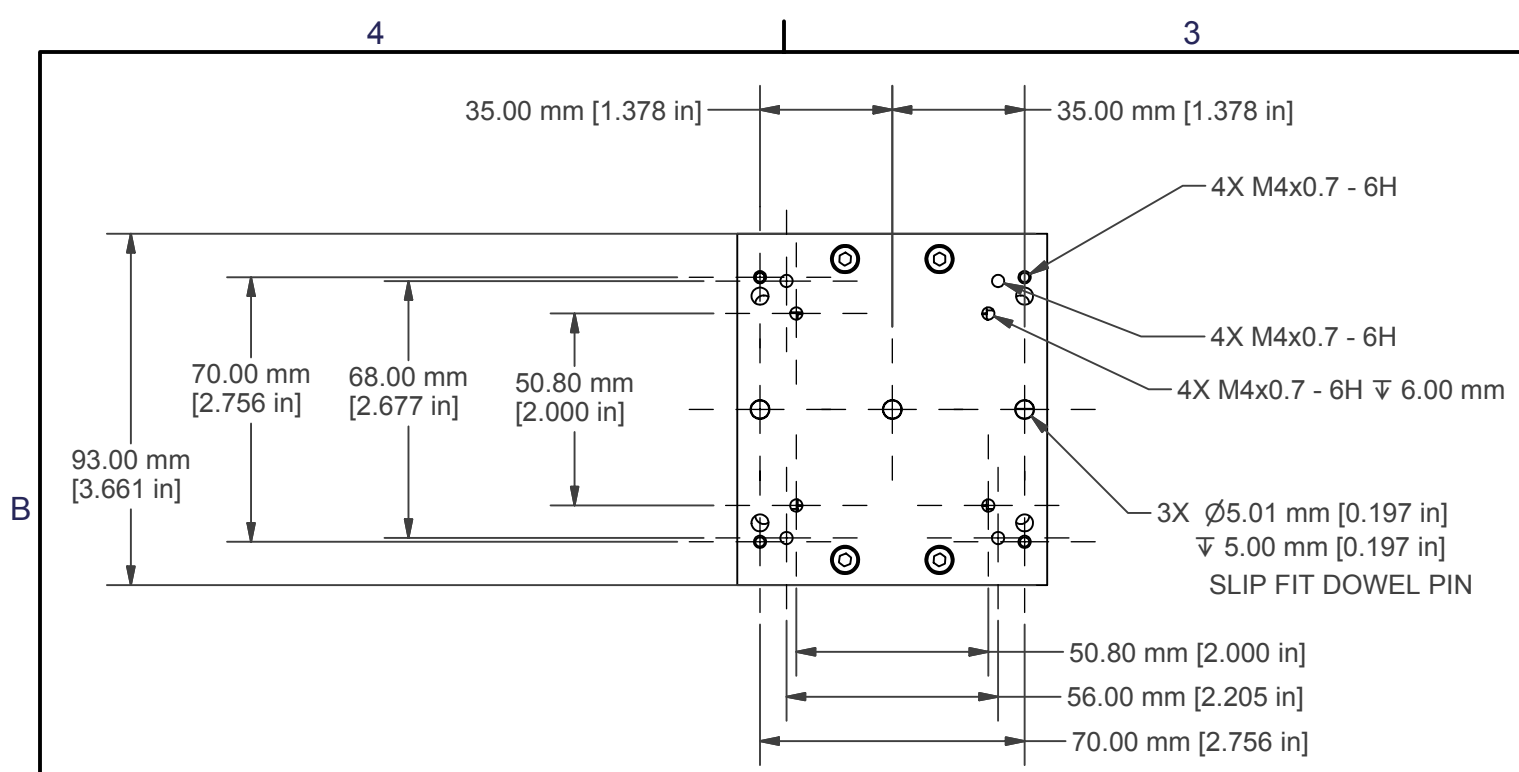
AI-HR4-10000

**METROLOGY STAGES**

AI-D8-30000M



**AI-HR4-10000**



**STANDARD FEATURES**

- MOTOR: HR-2
- STD FORCE 8 N  
(CONSULT FACTORY FOR HIGHER FORCE)
- TRAVEL: 25mm
- SPEED: 250mm/sec
- ENCODER RESOLUTION: ANALOG 1 VOLT, PEAK TO PEAK  
OPTIONAL: 5um, 1um, 0.5um, 0.1um, 0.05um, 0.02um, 0.01um or 5nm USING 4096 INTERPOLATION  
(CONTROLLER DEPENDENT)
- SYSTEM REPEATABILITY: +/- 1 ENCODER COUNT  
(CONTROLLER DEPENDENT)
- HOME SENSOR: STANDARD
- BEARINGS: PRECISION CROSS ROLLER  
< 1.5um PARALLELISM
- BEARING DYNAMIC LOAD RATING: 1.8 kN
- SYSTEM LOAD CAPACITY: APPLICATION DEPENDENT  
PLEASE CONSULT THE FACTORY
- ENCLOSURES: ALUMINUM 6061-T6  
STAINLESS STEEL OPTIONAL
- ENVIRONMENT: STANDARD, CLEAN ROOM, VACUUM  
10e-7 TORR, AND VACUUM 10e-10 TORR  
(CONSULT FACTORY)
- TEMPERATURE: 0 to 100 DEG C
- HUMIDITY: 10% to 80% NON-CONDENSING
- ASSEMBLY MASS: 0.53 kg

**ACCESSORIES**

MOTOR AMPLIFIER

**OPTIONAL EQUIPMENT**

MOTION CONTROLLERS

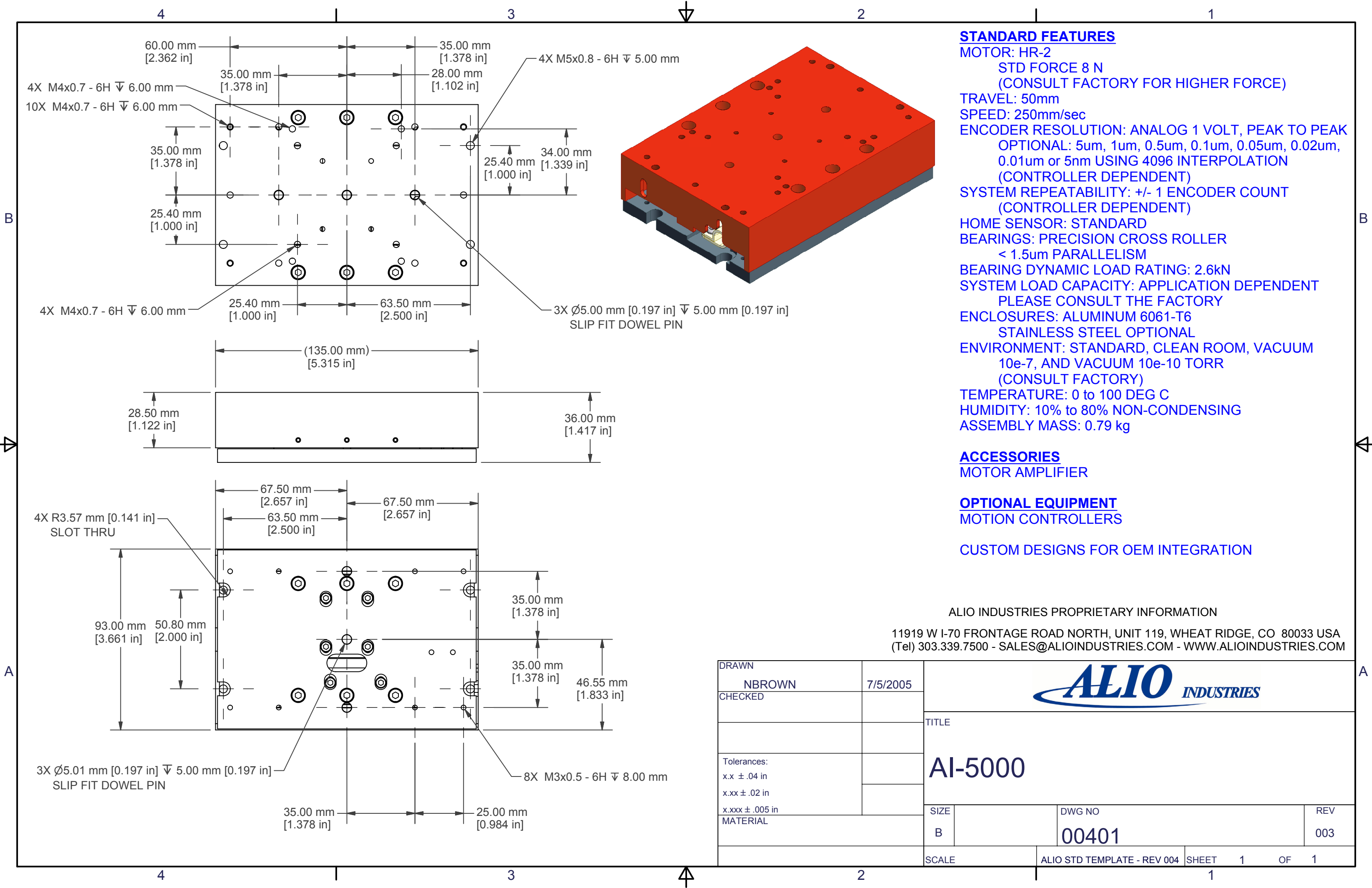
CUSTOM DESIGNS FOR OEM INTEGRATION

ALIO INDUSTRIES PROPRIETARY INFORMATION

11919 W I-70 FRONTAGE ROAD NORTH, UNIT 119, WHEAT RIDGE, CO 80033 USA  
(Tel) 303.339.7500 - SALES@ALIOINDUSTRIES.COM - WWW.ALIOINDUSTRIES.COM



DRAWN NBROWN		2/8/2005		TITLE <b>AI-2500</b>	
CHECKED					
Tolerances: x.x ± .04 in x.xx ± .02 in x.xxx ± .005 in		MATERIAL		SIZE B	DWG NO 00262
				REV 003	
SCALE				SHEET	1 OF 1



**STANDARD FEATURES**

- MOTOR: HR-2
- STD FORCE 8 N  
(CONSULT FACTORY FOR HIGHER FORCE)
- TRAVEL: 50mm
- SPEED: 250mm/sec
- ENCODER RESOLUTION: ANALOG 1 VOLT, PEAK TO PEAK  
OPTIONAL: 5um, 1um, 0.5um, 0.1um, 0.05um, 0.02um, 0.01um or 5nm USING 4096 INTERPOLATION  
(CONTROLLER DEPENDENT)
- SYSTEM REPEATABILITY: +/- 1 ENCODER COUNT  
(CONTROLLER DEPENDENT)
- HOME SENSOR: STANDARD
- BEARINGS: PRECISION CROSS ROLLER  
< 1.5um PARALLELISM
- BEARING DYNAMIC LOAD RATING: 2.6kN
- SYSTEM LOAD CAPACITY: APPLICATION DEPENDENT  
PLEASE CONSULT THE FACTORY
- ENCLOSURES: ALUMINUM 6061-T6  
STAINLESS STEEL OPTIONAL
- ENVIRONMENT: STANDARD, CLEAN ROOM, VACUUM  
10e-7, AND VACUUM 10e-10 TORR  
(CONSULT FACTORY)
- TEMPERATURE: 0 to 100 DEG C
- HUMIDITY: 10% to 80% NON-CONDENSING
- ASSEMBLY MASS: 0.79 kg

**ACCESSORIES**

- MOTOR AMPLIFIER

**OPTIONAL EQUIPMENT**

- MOTION CONTROLLERS

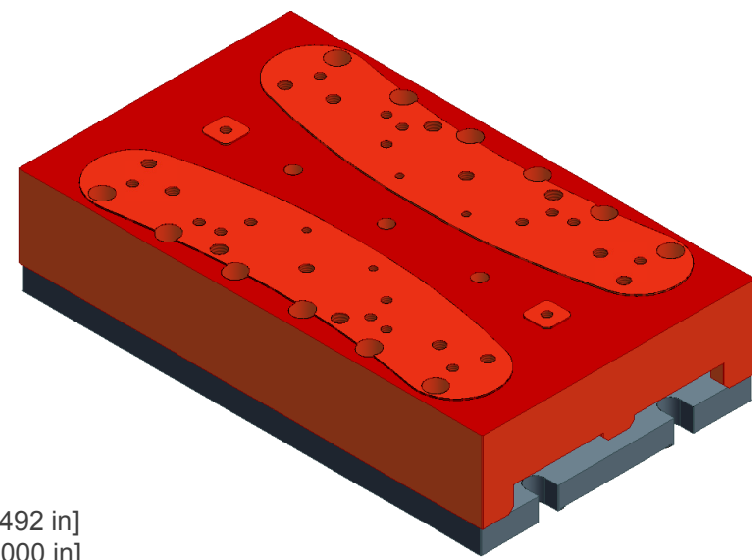
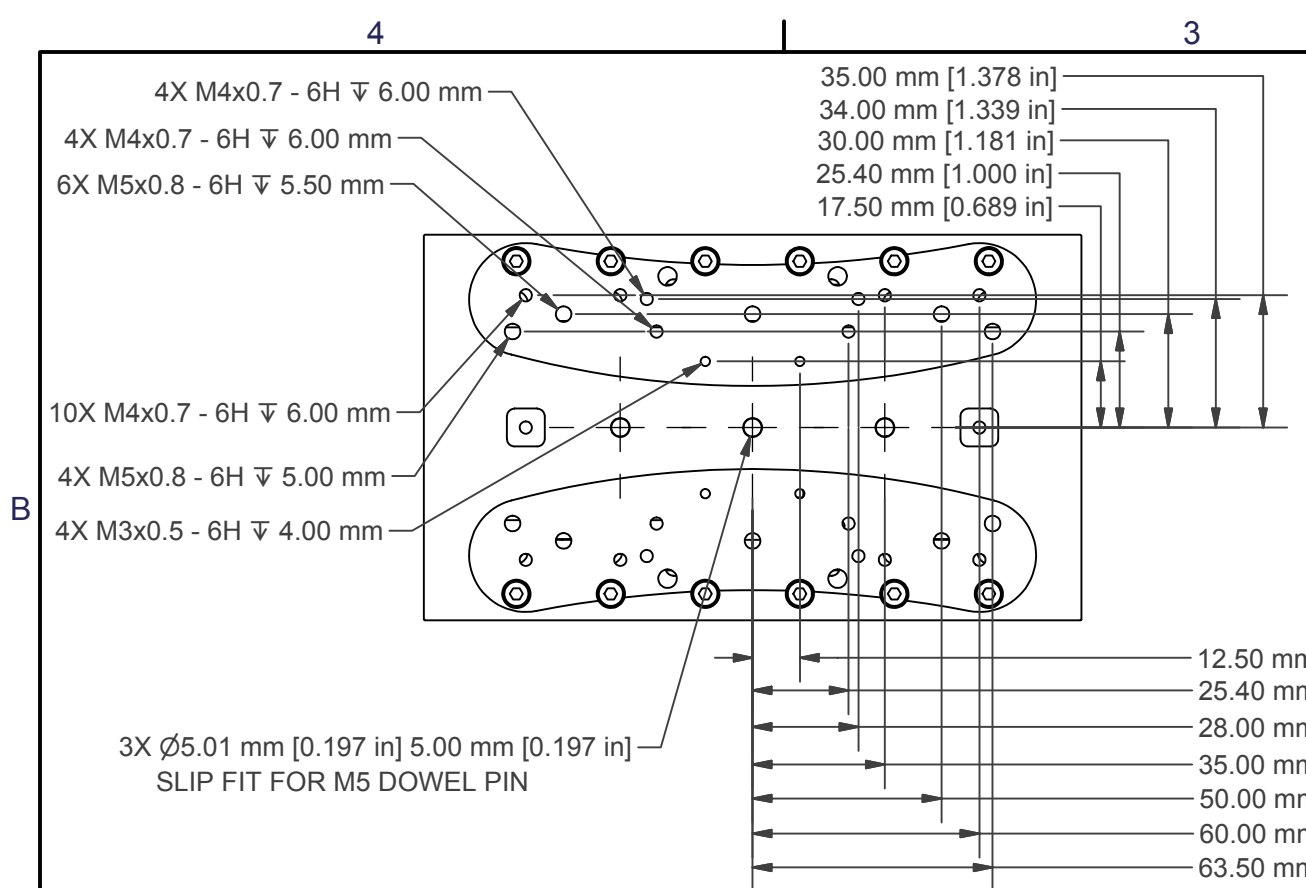
CUSTOM DESIGNS FOR OEM INTEGRATION

ALIO INDUSTRIES PROPRIETARY INFORMATION

11919 W I-70 FRONTAGE ROAD NORTH, UNIT 119, WHEAT RIDGE, CO 80033 USA  
(Tel) 303.339.7500 - SALES@ALIOINDUSTRIES.COM - WWW.ALIOINDUSTRIES.COM

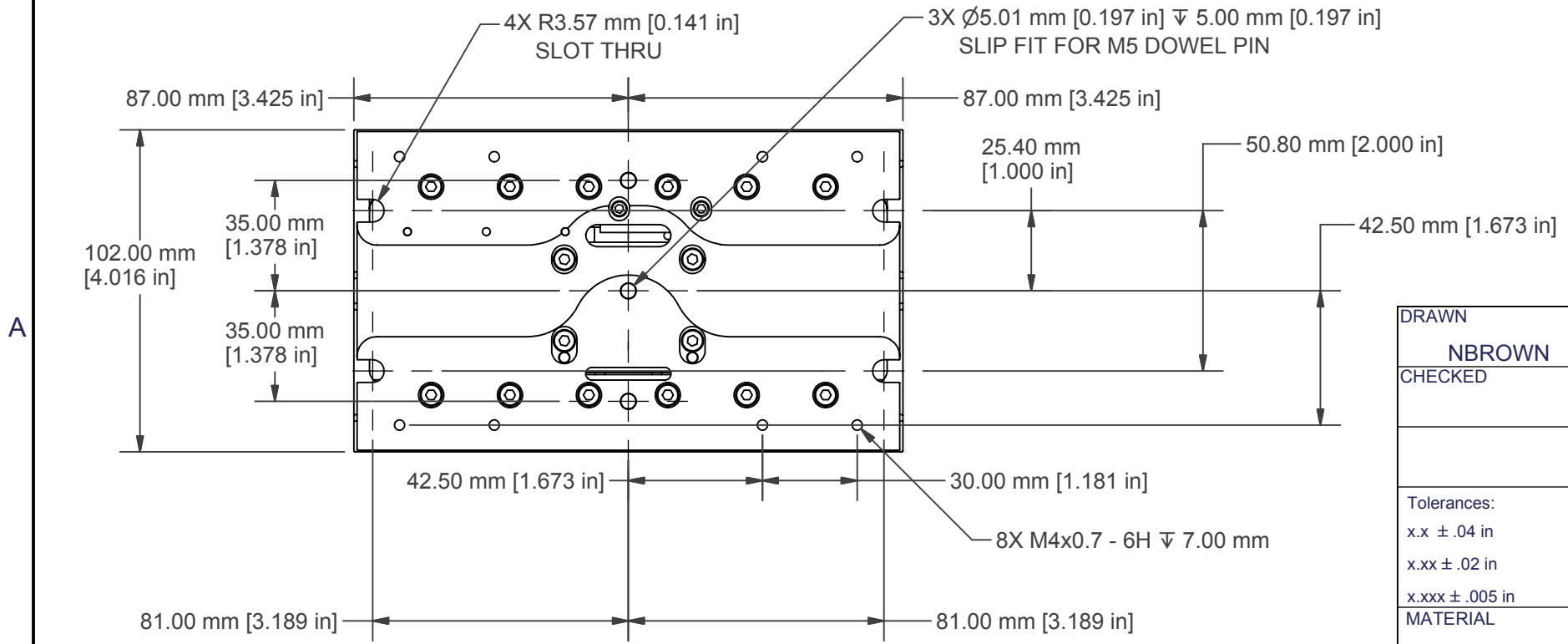
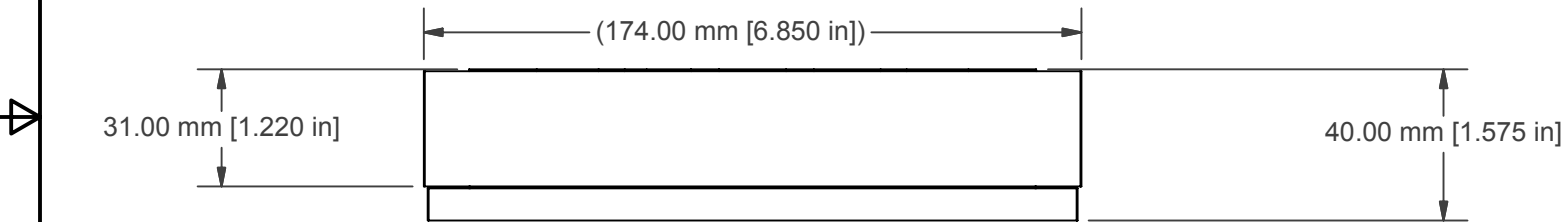


DRAWN		7/5/2005		TITLE	
NBROWN					
CHECKED				AI-5000	
Tolerances:					
x.x ± .04 in					
x.xx ± .02 in				SIZE	
x.xxx ± .005 in				DWG NO	
MATERIAL				00401	
				REV	
				003	
		SCALE		ALIO STD TEMPLATE - REV 004	
		SHEET		1 OF 1	



**STANDARD FEATURES**

- MOTOR: HR-4
- STD FORCE 16 N  
(CONSULT FACTORY FOR HIGHER FORCE)
- TRAVEL: 100mm
- SPEED: 250mm/sec
- ENCODER RESOLUTION: ANALOG 1 VOLT, PEAK TO PEAK  
OPTIONAL: 5um, 1um, 0.5um, 0.1um, 0.05um, 0.02um, 0.01um or 5nm USING 4096 INTERPOLATION  
(CONTROLLER DEPENDENT)
- SYSTEM REPEATABILITY: +/- 1 ENCODER COUNT  
(CONTROLLER DEPENDENT)
- HOME SENSOR: STANDARD
- BEARINGS: PRECISION CROSS ROLLER  
< 2.0um PARALLELISM
- BEARING DYNAMIC LOAD RATING: 4kN
- SYSTEM LOAD CAPACITY: APPLICATION DEPENDENT  
PLEASE CONSULT THE FACTORY
- ENCLOSURES: ALUMINUM 6061-T6  
STAINLESS STEEL OPTIONAL
- ENVIRONMENT: STANDARD, CLEAN ROOM, VACUUM  
10e-7, AND VACUUM 10e-10 TORR  
(CONSULT FACTORY)
- TEMPERATURE: 0 to 100 DEG C
- HUMIDITY: 10% to 80% NON-CONDENSING
- ASSEMBLY MASS: 1.5 kg



**ACCESSORIES**

MOTOR AMPLIFIER

**OPTIONAL EQUIPMENT**

MOTION CONTROLLERS

CUSTOM DESIGNS FOR OEM INTEGRATION

ALIO INDUSTRIES PROPRIETARY INFORMATION

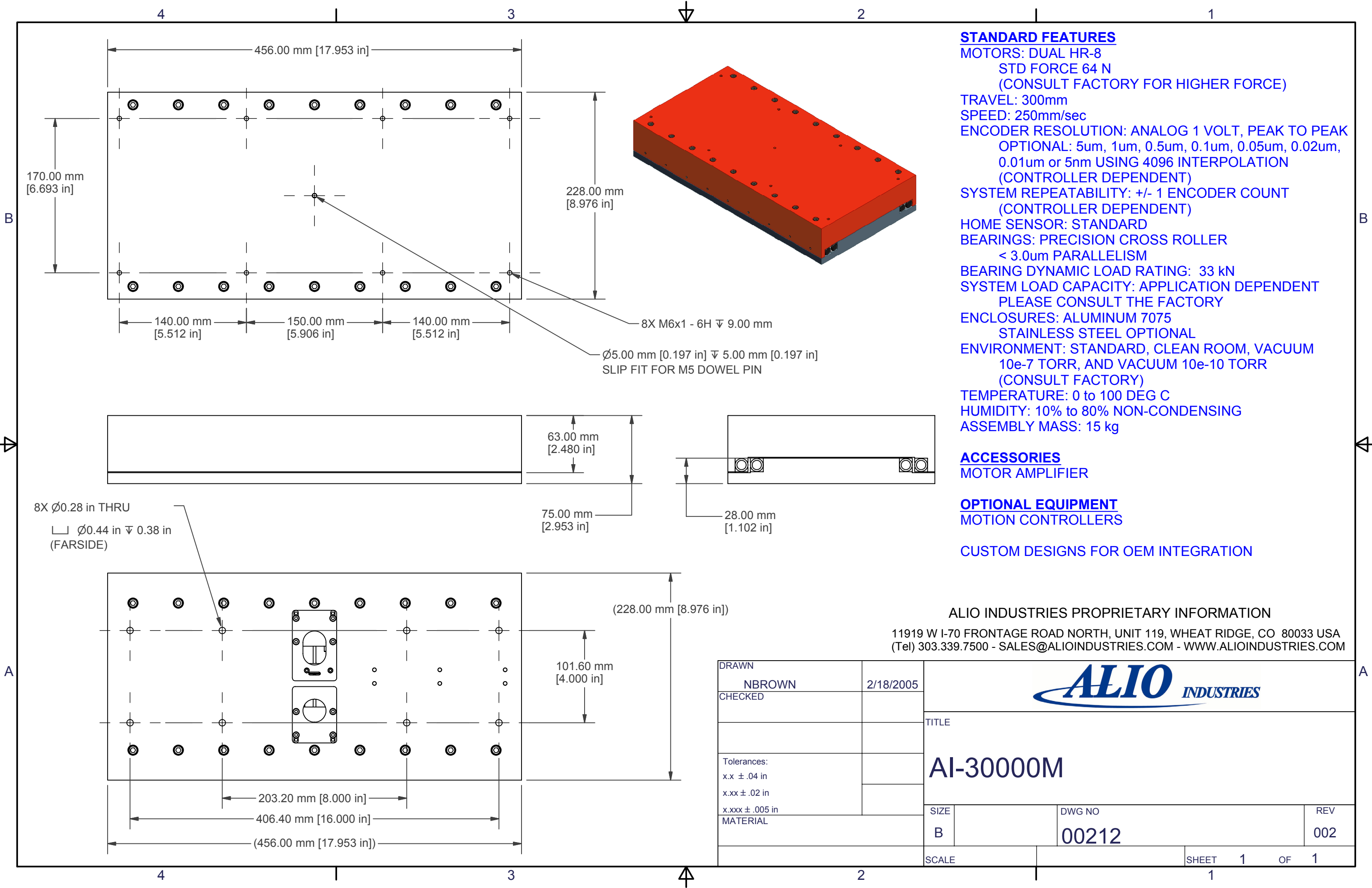
11919 W I-70 FRONTAGE ROAD NORTH, UNIT 119, WHEAT RIDGE, CO 80033 USA  
(Tel) 303.339.7500 - SALES@ALIOINDUSTRIES.COM - WWW.ALIOINDUSTRIES.COM

DRAWN	NBROWN	9/11/2005
CHECKED		
Tolerances: x.x ± .04 in x.xx ± .02 in x.xxx ± .005 in		
MATERIAL		



**AI-HR4-10000**

SIZE	DWG NO	REV
B	0010-00566	001
SCALE	ALIO STD TEMPLATE - REV 004	SHEET 1 OF 1



**STANDARD FEATURES**

- MOTORS: DUAL HR-8  
STD FORCE 64 N  
(CONSULT FACTORY FOR HIGHER FORCE)
- TRAVEL: 300mm
- SPEED: 250mm/sec
- ENCODER RESOLUTION: ANALOG 1 VOLT, PEAK TO PEAK  
OPTIONAL: 5um, 1um, 0.5um, 0.1um, 0.05um, 0.02um, 0.01um or 5nm USING 4096 INTERPOLATION  
(CONTROLLER DEPENDENT)
- SYSTEM REPEATABILITY: +/- 1 ENCODER COUNT  
(CONTROLLER DEPENDENT)
- HOME SENSOR: STANDARD
- BEARINGS: PRECISION CROSS ROLLER  
< 3.0um PARALLELISM
- BEARING DYNAMIC LOAD RATING: 33 kN
- SYSTEM LOAD CAPACITY: APPLICATION DEPENDENT  
PLEASE CONSULT THE FACTORY
- ENCLOSURES: ALUMINUM 7075  
STAINLESS STEEL OPTIONAL
- ENVIRONMENT: STANDARD, CLEAN ROOM, VACUUM  
10e-7 TORR, AND VACUUM 10e-10 TORR  
(CONSULT FACTORY)
- TEMPERATURE: 0 to 100 DEG C
- HUMIDITY: 10% to 80% NON-CONDENSING
- ASSEMBLY MASS: 15 kg

**ACCESSORIES**

MOTOR AMPLIFIER

**OPTIONAL EQUIPMENT**

MOTION CONTROLLERS

CUSTOM DESIGNS FOR OEM INTEGRATION

**ALIO INDUSTRIES PROPRIETARY INFORMATION**

11919 W I-70 FRONTAGE ROAD NORTH, UNIT 119, WHEAT RIDGE, CO 80033 USA  
(Tel) 303.339.7500 - SALES@ALIOINDUSTRIES.COM - WWW.ALIOINDUSTRIES.COM



DRAWN	NBROWN	2/18/2005
CHECKED		
Tolerances: x.x ± .04 in x.xx ± .02 in x.xxx ± .005 in		
MATERIAL		

TITLE		
AI-30000M		
SIZE	DWG NO	REV
B	00212	002
SCALE	SHEET 1 OF 1	