



EA40 T/U ABSOLUTE SINGLETURN ENCODER FOR TOOL CHANGE APPLICATIONS



Absolute Encoder

Ø40 T/U absolute encoders are specifically designed to be directly mounted on machine tools and they are suitable for being mounted on turrets for tool change (8 or 12 positions). The timing between encoder and turret can be overviewed by a led mounted on the enclosure. According to that it is possible to visualise the position of the first tool making easier and quicker the mounting for the operator.

Main characteristics:

- Easy mechanical mounting.
- Several output types available.
- 8 and 12 position turn configuration.
- IP66 sealing.



Ordering code

Full stop to separate special versions

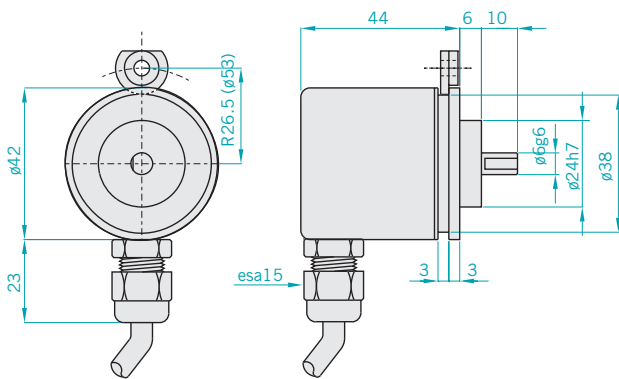
EA 40 T 12 B 8/28 R P 6 S 3 P R . XXX

| | |
|---|--|
| Singleturn absolute encoder series EA | Special version code numbered from 001 to 999 |
| Body dimension 40 | R Radial |
| Type of flange mod. EA40T T mod. EA40U U | P Cable output (standard length 0,5 m) |
| Positions 8 12 | R.P.M. 3 3000 max |
| Code type Binary B | Enclosure rating S Standard IP66 |
| Input voltage 5 8 ÷ 28 | Shaft diameter 6 ø 6 mm |
| Logic N Negative P Positive | Output types N NPN C NPN OPEN COLLECTOR R PNP U PNP |

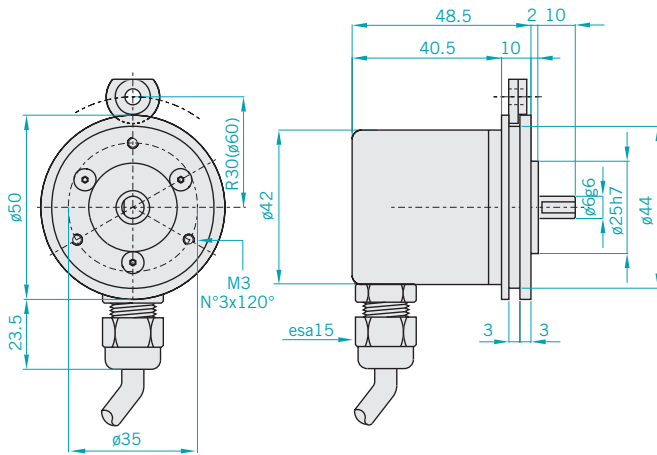
Special ABSOLUTE ENCODERS

EA40 T/U

EA 40 T



EA 40 U



Signal configurations

| Wire colour | WHITE | YELLOW | GREEN | VIOLET | RED | BLACK | BROWN | BLUE |
|---------------|-------|--------|-------|--------|--------|--------|-------|--------|
| Turn position | bit1 | bit2 | bit3 | bit4 | Parity | Strobe | +Vdc | 0 Volt |
| 1 | • | | | | • | ⌈ | | |
| 2 | | • | | | • | ⌈ | | |
| 3 | • | • | | | • | ⌈ | | |
| 4 | | | • | | • | ⌈ | | |
| 5 | • | • | • | | • | ⌈ | | |
| 6 | | • | • | | • | ⌈ | | |
| 7 | • | • | • | • | • | ⌈ | | |
| 8 | | | | • | • | ⌈ | | |
| 9 | • | | | • | • | ⌈ | | |
| 10 | | • | | • | • | ⌈ | | |
| 11 | • | • | • | • | • | ⌈ | | |
| 12 | | | | | | ⌈ | | |

Electrical specifications

| | |
|-----------------------------------|---|
| Positions | 8 / 12 |
| Input voltage | 5Vdc / 8 ÷ 28 Vdc |
| Input current with no output load | 100 mA |
| Source and sink current | 40 mA for channel |
| Output types | NPN / NPN OPEN COLLECTOR / PNP / PNP OPEN COLLECTOR |
| Output frequency | 100 KHz output code |

Mechanical specifications

| | |
|-----------------------|---|
| Shaft diameter (mm) | ø6 g6 |
| Enclosure rating | IP66 standard |
| R.P.M. Max | 3000 continuous |
| MAX shaft load | 5N (0.5 Kp) axial 5N (0.5 Kp) radial |
| Shock | 50 G for 11 msec |
| Vibrations | 10G 10 ÷ 2000 Hz |
| Bearings life | 10 ⁹ revolutions |
| Bearings | n° 2 ball bearings |
| Shaft material | Stainless steel AISI303 |
| Body material | Aluminium D11S - UNI 9002/5 |
| Housing material | PA66 reinforced with fiber glass |
| Operating temperature | 0° ÷ +60°C |
| Storage temperature | -15° ÷ +70°C |
| Weight | 100 g |

