

Main characteristics

Ø150 encoder series through hollow shaft used on motors.

- Up to 78mm bore diameter
- Easy and safe fixing
- Rugged mechanics
- Up to 5.040 ppr with Zero
- Several output types available.
- Up to 24 Vdc input voltage.
- Up to 100 kHz frequency response
- Up to 1.000 rpm speed rotation
- Up to IP40 sealing



Ordering code

Full stop to separate special versions.

EH 150 P 1024 Z 5 N 50 X 1 P R . XXX

Incremental encoder series **EH**

body dimension **150**

hollow shaft **P**

Resolutions

PPR: **1024 - 5040**

Please, directly contact our offices for pulses availability

Zero pulse

without zero pulse **S**

with zero pulse **Z**

Input voltage

5
8 ÷ 24

Special version code numbered from 001 to 999

R radial

P cable output (standard length 0,5 m)

R.P.M.

1 1000

Enclosure rating

X standard IP40

S IP 65 with special work condition

Bore diameter

50 ø 50H7 mm

60 ø 60H7 mm

70 ø 70H7 mm

78 ø 78H7 mm

Output types

N NPN

C NPN OPEN COLLECTOR

P PUSH PULL

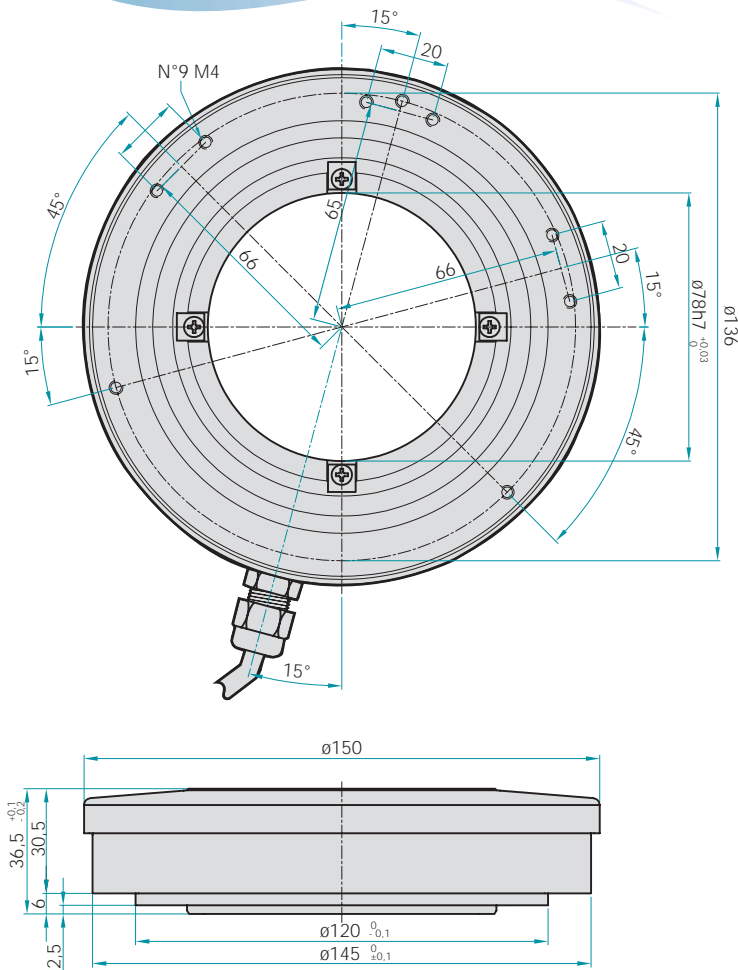
L LINE DRIVER

For optionals about output types please refer to incremental outputs section

Hollow shaft incremental encoder

EH 150 P

EH 150



Electrical specifications

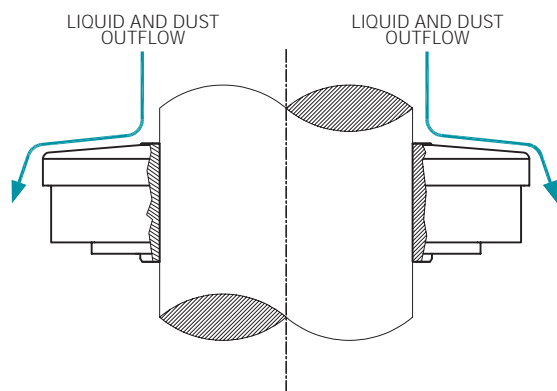
Resolution	From 1024 to 5040 PPR
Input voltage	5 Vdc / 8 ÷ 24 Vdc
Input current with no output load	100 mA Max
Source and sink current	50 mA for channel 20 mA for channel with LINE DRIVER
Output types	NPN / NPN OPEN COLLECTOR / PUSH PULL / LINE DRIVER
Output frequency	100 KHz Max
Frequency response	$F = \frac{\text{RPM} \times \text{Resolution}}{60}$

Mechanical specifications

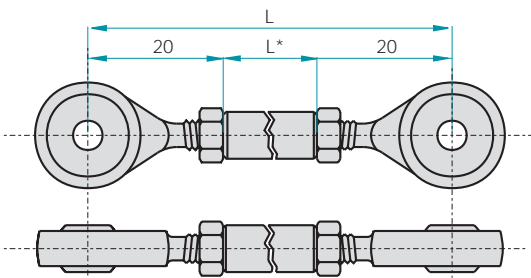
Bore diameter	ø50 / 60 / 70 / 78 mm H7
Enclosure rating	IP40 standard IP65 with special work condition
Shaft speed	1000 RPM
Bearings	n° 1 ball bearings
Shaft material	Aluminium D11 S UNI9002/5
Housing material	Aluminium
Operating temperature	0° ÷ +60°C
Storage temperature	-25° ÷ +70°C
Weight	1000g

Hollow shaft incremental encoder

Ideal working condition to obtain IP65 protection



ACCESSORIES



Available lengths

L* = 30 mm	Ordering code: SN5A30
L* = 60 mm	Ordering code: SN5A60
L* = 90 mm	Ordering code: SN5A90

EH 150 P

