

Main characteristics

Miniaturized Ø30 encoder series. Used when a minimal size is required even providing excellent performances.

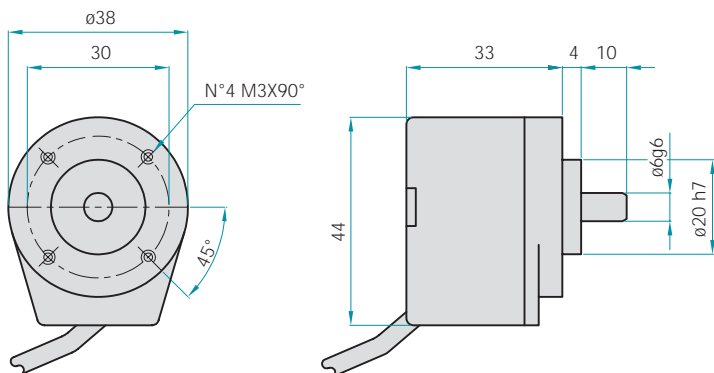
- Up to 1024 ppr with Zero.
- Several output types available.
Up to 24 Vdc input voltage.
- Up to 100 kHz frequency response
- Output cable. Cable connector available on request.
- Several flanges available
- Up to 3.000 rpm speed rotation
- Up to IP54 sealing



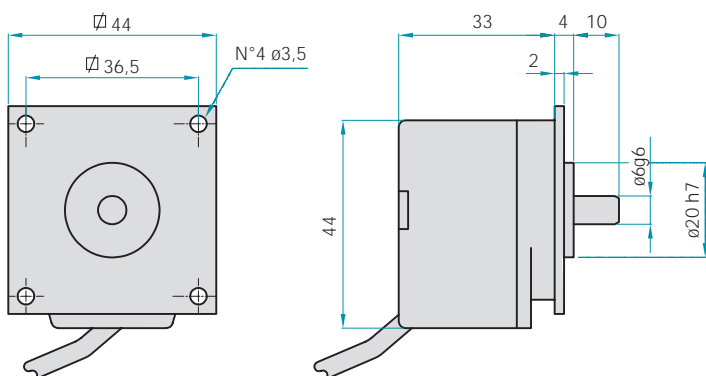
Ordering code

Full stop to separate special versions												
EH	38	A	500	Z	5	N	6	X	3	P	R	. XXX
incremental encoder series EH		body dimension 38								R radial		Special version code numbered from 001 to 999
Type of flange												
mod.EH 38 A A												
mod.EH 38 B B												
mod.EH 38 D D												
Resolution												
PPR: from 40 to 1024												
<i>Please, directly contact our offices for pulses availability</i>												
Zero pulse												
without zero pulse S												
with zero pulse Z												
Input voltage												
5												
8 ÷ 24												
			R.P.M.									
			3 3000									
			Enclosure rating									
			X standard IP54									
			Shaft diameter									
			6 ø 6 g6									
			Output types									
			N NPN									
			C NPN OPEN COLLECTOR									
			P PUSH PULL									
			L LINE DRIVER									
<i>For optionals about output types please refer to incremental output section</i>												

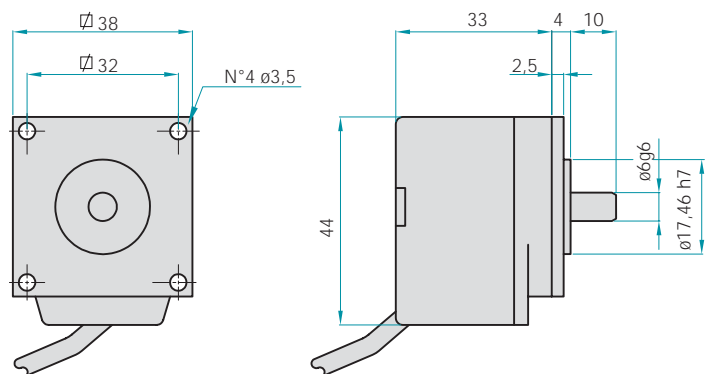
EH 38 A



EL 38 B



EH 38 D



Electrical specifications

Resolution	From 40 to 1024 PPR
Input voltage	5Vdc / 8 ÷ 24 Vdc
Input current with no output load	100 mA Max
Source and sink current	50 mA for channel 20 mA for channel with LINE DRIVER
Output types	NPN / NPN OPEN COLLECTOR / PUSH PULL / LINE DRIVER
Output frequency	100 KHz Max
Frequency response	$F = \frac{\text{RPM} \times \text{Resolution}}{60}$

Mechanical specifications

Shaft diameter	ø6 mm g6
Enclosure rating	IP54 standard
Shaft speed	3000 RPM
Max shaft load	5N (0.5 Kp) axial 5N (0.5 Kp) radial
Shock	50 G for 11 msec
Vibrations	10G 10 ÷ 2000 Hz
Bearings life	10 ⁹ revolutions
Bearings	n° 2 Ball bearings
Shaft material	Stainless steel AISI303
Body material	Aluminium UNI 5076
Housing material	PA 66 reinforced with fiber glass
Operating temperature	0° ÷ +60°C
Storage temperature	-25° ÷ +70°C
Weight	100 g