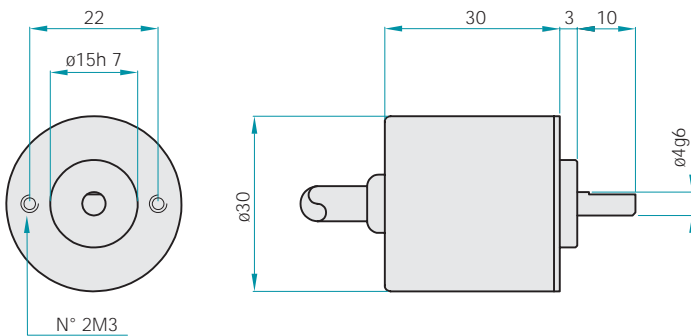
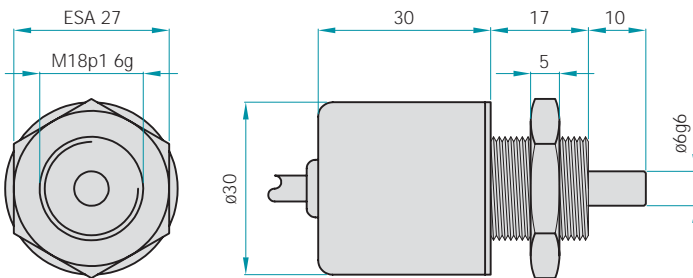


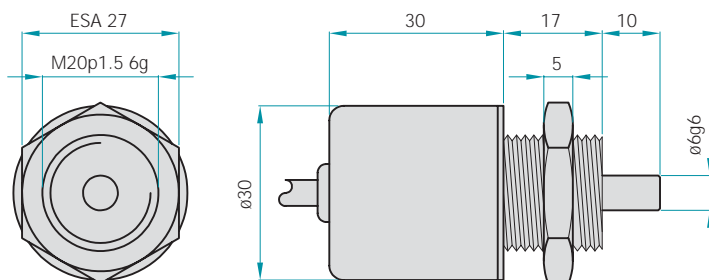
EL 30 E



EL 30 H



EL 30 I



Electrical specifications

Resolution	from 1 to 1024 PPR
Input voltage	5Vdc / 8 ÷ 24 Vdc
Input current with no output load	Max 100 mA
Source and sink current	50 mA for channel 20 mA for channel with LINE DRIVER
Output types	NPN / NPN OPEN COLLECTOR / PUSH PULL / LINE DRIVER
Output frequency	100 KHz Max
Frequency response	$F = \frac{\text{RPM} \times \text{Resolution}}{60}$

Mechanical specifications

Shaft diameter	4 g6 EL 30 E 6 g6 EL 30 H/I/E
Enclosure rating	IP54 standard
Shaft speed	3000 RPM
Max shaft load	5N (0.5 Kp) axial 5N (0.5 Kp) radial
Shock	50 G for 11 msec
Vibrations	10G 10 ÷ 2000 Hz
Bearings life	10 ⁹ revolutions
Bearings	n° 2 ball bearings
Shaft material	Stainless steel AISI303
Body material	Aluminium D11S - UNI 9002/5
Housing material	PA 66 reinforced with fiber glass
Operating temperature	0° ÷ +60°C
Storage temperature	-25° ÷ +70°C
Weight	50 g