

Main characteristics

Ø88 encoder series with through hollow shaft used on motors.

- Up to 38mm hole diameter
- Easy and safe fixing
- Sturdy mechanics
- Up to 2.048 ppr with Zero
- Several output types available.
- Up to 28 Vdc input voltage.
- Up to 100 kHz frequency response
- Up to 3.000 rpm speed rotation
- Up to IP54 sealing



Ordering code

Full stop to separate special versions.

EL 88 P 500 Z 5 L 38 X 3 P R . XXX

Incremental encoder series **EL**

body dimension **88**

hollow shaft **P**

Resolutions

PPR: **1 - 2048**

Please, directly contact our offices for pulses availability

Zero pulse

without zero pulse **S**

with zero pulse **Z**

Input voltage

input voltage **5 ÷ 28**

N.B.: LINE DRIVER disponibile solo con alimentazione 5 Vdc o 8 -24 Vdc

Special version code numbered from 001 to 999

R radial

P cable output (standard length 0,5 m)

R.P.M.

3 3000

Enclosure rating

X standard IP54

Bore diameter

25 ø 25 mm

30 ø 30 mm

35 ø 35 mm

38 ø 38 mm

Output types

N NPN

C NPN OPEN COLLECTOR

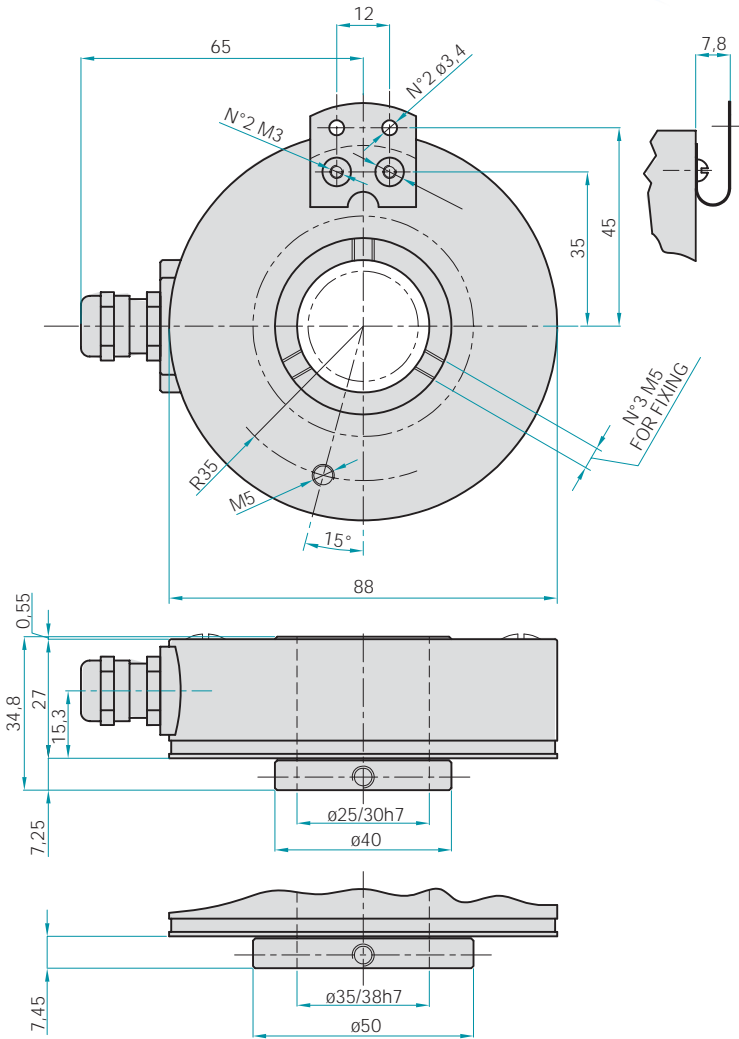
P PUSH PULL

L LINE DRIVER

For optionals about output types please refer to incremental outputs section

Hollow shaft incremental encoder

EL 88 P



Electrical specifications

Resolution	1 - 2048 PPR
Input voltage	5 ÷ 28 Vdc LINE DRIVER only available with input voltage 5 - 28 Vdc
Input current with no output load	100 mA Max
Source and sink current	50 mA for channel 20 mA for channel with LINE DRIVER
Output types	NPN / NPN OPEN COLLECTOR / PUSH PULL / LINE DRIVER
Output frequency	100 KHz Max
Frequency response	$F = \frac{RPM \times Resolution}{60}$

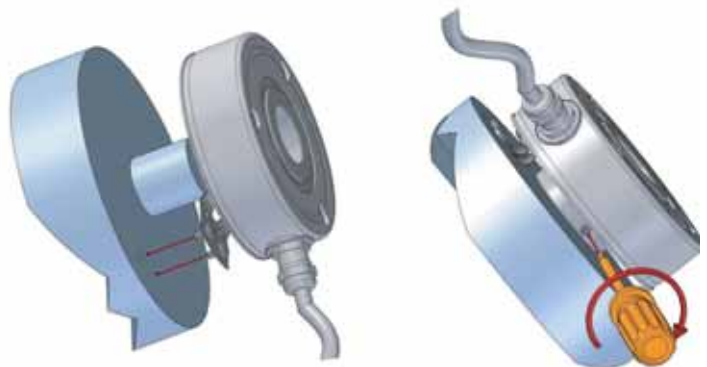
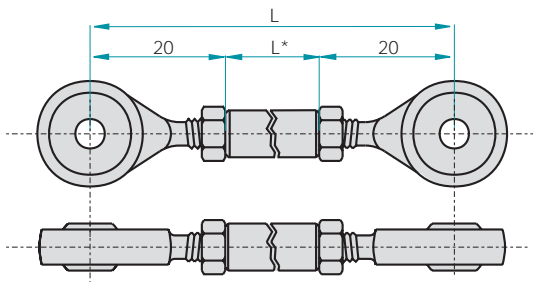
Mechanical specifications

Bore diameter	$\varnothing 25$ mm H7 / $\varnothing 30$ mm H7 $\varnothing 35$ mm H7 / $\varnothing 38$ mm H7
Enclosure rating	IP54 - Standard
Shaft speed	3000 RPM
Bearings	n° 2 ball bearings
Shaft material	Stainless steel AISI303 for $\varnothing 35$ and $\varnothing 38$ Aluminium D11S UNI9002/5 for $\varnothing 25$ and $\varnothing 30$
Housing material	Aluminium
Operating temperature	0° ÷ +60°C
Storage temperature	-25° ÷ +70°C
Weight	350g

HOW TO MOUNT IT

- 1) Couple the encoder shaft with the motor shaft
- 2) Fix the spring to the motor flange without screwing it
- 3) Fix the encoder shaft by the metal gear.
- 4) Block the spring

ACCESSORIES



Available lengths

L* = 30 mm	Ordering code: SN5A30
L* = 60 mm	Ordering code: SN5A60
L* = 90 mm	Ordering code: SN5A90