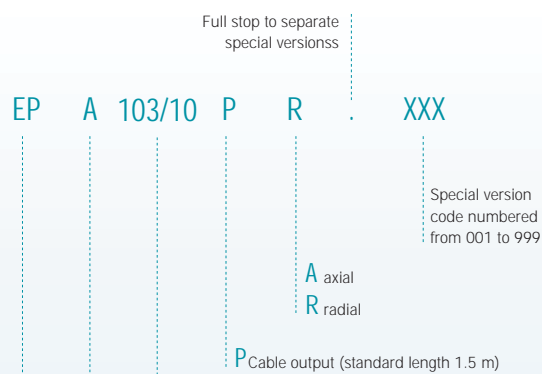


### Main characteristics

Encoders with potentiometric output signal.  
 The potentiometer is sealed in a robust cover and it is supported by two bearings. It assures excellent lifetime, speed and precision performances.



### Ordering code



#### Resistivity

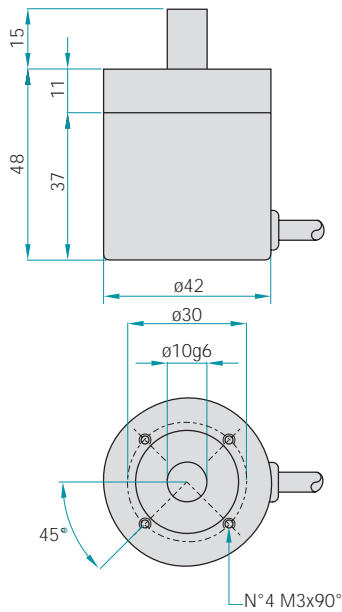
502/1	5 Kohm/1 turns (mod. A)
502/3	5 Kohm/3 turns (mod. B)
103/1	10 Kohm/1 turns (mod. A)
103/3	10 Kohm/3 turns (mod. B)
103/10	10 Kohm/10 turns (mod. A)

#### Shaft type

- A** mod. EP A ø 10 shaft
- B** mod. EP B toothed shaft

EP Eltra's potentiometer

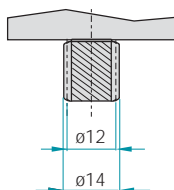
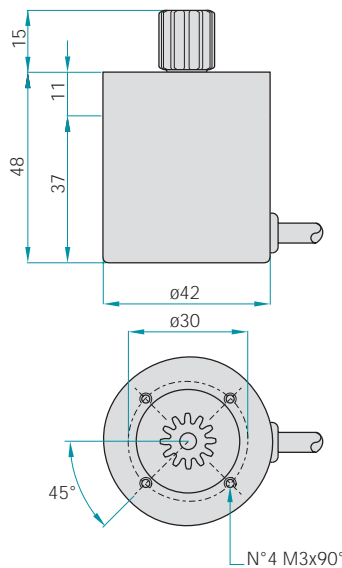
## EP A



## General specifications

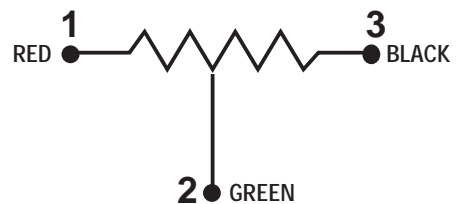
Available potentiometers	5 Kohm/1 turn (mod.A) 5 Kohm/3 turns (mod.B) 10 Kohm/1 turn (mod.A) 10 Kohm/3 turns (mod.B) 10 Kohm/10 turns (mod.A)
Tolerance	± 5%
Linearity	± 0.25%
Power rating (70°C)	model A: 2.0 watt model B: 1.0 watt
Lifetime	300.000 for model B 1.000.000 for model A
Shock	50G per 11 msec
Vibrations	15G 10÷2000 Hz
Shaft diameter	$\phi 10$ g6
Shaft material	Stainless steel AISI303
Toothed shaft specifications	$Z = 12/m = 1/p = 3.1415$
Toothed shaft material	Steel C45
Housing material	PA 66 reinforced with fiber glass
Body material	Aluminium UNI 900/5
Bearings	n° 2 ball bearings
Weight	150g

## EP B



**TOOTH SPECIFICATIONS**  
 $z = 12$   
 $m = 1$   
 $p = 3.1415$

## Colours and connections



## Operating specifications

Enclosure rating	IP54 Standard
Operating temperature	0° ÷ +60°C
Storage temperature	-25° ÷ +70°C