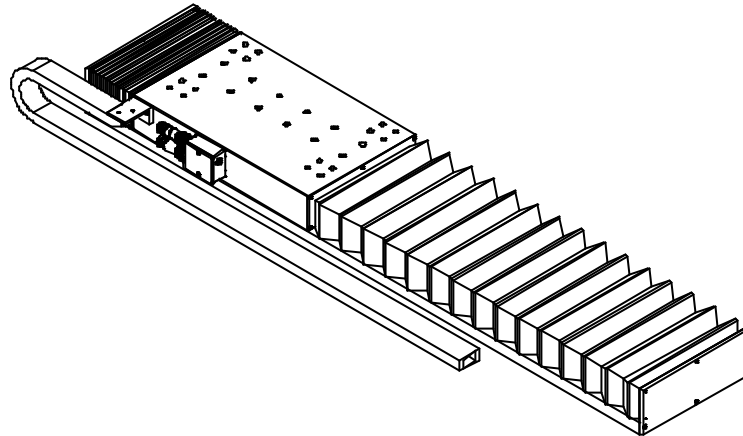


SERIES

SKA 75

ENCLOSED VERSION

STANDARD



DIMENSIONS

TYPE	HS	HM
A	323	470
B	1049	902
L	1500	1800
STROKE	921	770
WEIGHT (Aluminium Baseplate) (Kg)	71	74

On request L= 3000 mm Stroke = 2500 mm – Steel Baseplate

