

## 30000 Worm Gear Drive Heavy Load-Carrying Stage

Daedal rotary indexing tables provide accurate rotational positioning with a heavy load-carrying capability. Tables feature an angular contact ball bearing system which is stiffly preloaded to produce precise rotation of the table top. The drive mechanism is a precision worm gear drive which provides precise rotational positioning. An angular readout – graduated in degrees – is provided around the circumference of the table top, while a finer position readout dial, found on the control knob, reads directly in 0.01° increments, with the vernier providing even higher (0.002°) resolution. A thumbscrew lock is included to lock the table at the desired setting. For customer convenience, threaded mounting holes with locking threaded inserts are provided as well as a clearance hole through the center of the table to allow easy access from below. If desired, the table top can easily be removed to permit custom modification. These units can be mounted in any orientation and are compatible with Daedal linear tables.

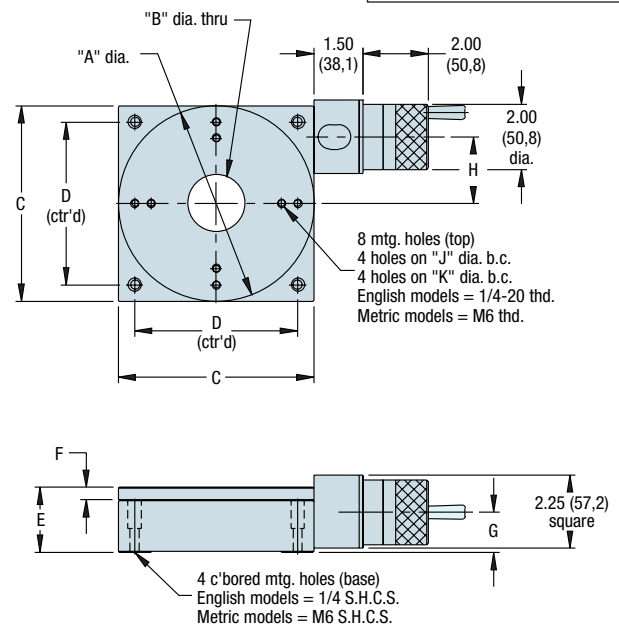


CAD Files...  
 Download from  
[daedalpositioning.com](http://daedalpositioning.com)

### Specifications

	English	Metric
<b>Load Capacity:</b>		
Normal	25 - 200 lb	11,5 - 90 kg
Moment	See note	See note
<b>Runout:</b>		
Standard Grade	0.003 in	75 μm
Precision Grade	0.001 in	25 μm
<b>Concentricity:</b>		
Standard Grade	0.0005 in	1,3 μm
Precision Grade	0.0001 in	0,3 μm
<b>Rotational Range: 360° continuous</b>		
<b>Vernier Resolution: 0.002°</b>		

NOTE: For moment loads refer to [www.daedalpositioning.com](http://www.daedalpositioning.com)



### Selection Guide

	Table Diameter	Normal Load	Output Torque	Weight	Model Number		A	B	C	D	E	F	G	H	J	K
					Std. Grd.	Prec. Grd.										
English	5.00 in	25 lbs	25 in-lb	6.0 lbs	30005-S	30005-P	5.00	1.00	5.00	4.00	1.75	0.31	1.11	1.66	3.00	4.00
	6.00 in	150 lbs	40 in-lb	8.0 lbs	30006-S	30006-P	6.00	1.75	6.00	5.00	2.00	0.38	1.23	2.04	4.00	5.00
	8.00 in	75 lbs	40 in-lb	15.0 lbs	30008-S	30008-P	8.00	1.75	8.00	6.00	2.50	0.50	1.57	2.04	4.00	6.00
	10.00 in	200 lbs	190 in-lb	27.0 lbs	30010-S	30010-P	10.00	2.00	10.00	9.00	3.00	0.75	1.81	3.03	6.00	8.00
	12.00 in	200 lbs	190 in-lb	31.0 lbs	30012-S	30012-P	12.00	2.00	10.00	9.00	3.00	0.75	1.81	3.03	8.00	10.00
Metric	127,0 mm	11,5 kg	2,8 Nm	2,7 kg	M30005-S	M30005-P	127,0	25,4	127,0	100,0	44,5	7,9	28,2	42,2	75,0	100,0
	152,0 mm	68,0 kg	4,5 Nm	3,6 kg	M30006-S	M30006-P	152,4	44,5	152,4	125,0	50,8	9,7	31,2	51,8	100,0	125,0
	203,0 mm	34,0 kg	4,5 Nm	6,8 kg	M30008-S	M30008-P	203,2	44,5	203,2	175,0	63,5	12,7	39,9	51,8	100,0	175,0
	254,0 mm	90,0 kg	21,5 Nm	12,2 kg	M30010-S	M30010-P	254,0	50,8	254,0	225,0	76,2	19,1	46,0	77,0	150,0	200,0
	305,0 mm	90,0 kg	21,5 Nm	14,1 kg	M30012-S	M30012-P	304,8	50,8	254,0	225,0	76,0	19,1	46,0	77,0	200,0	250,0

Manually Driven