

MAIN FEATURES

Rope encoder series available for lengths up to 4 m.
The applied encoder could be incremental or absolute (both available with SSI or PROFIBUS® interface).
Perfectly suitable also for harsh environments, thanks to its high mechanical strength.
It can be used in wide range of applications such as: vertical storehouses, presses, extruders, etc.



ORDERING CODE

FE 1500 A . XXX

SERIES	VARIANT
rope encoder for linear measures FE	XXX custom variant
WORKING STROKE	TYPE OF ROPE END
1,5 m 1500	A rope eyelet
4 m 4000	

The encoder you wish to apply to the FE model needs to be ordered separately. The F letter will be placed before the standard ordering code.

Example:

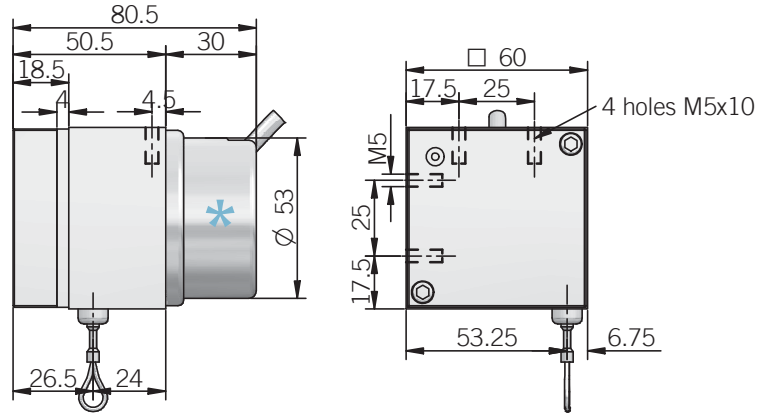
- 1) encoder model EH 30 M ordering code: FEH30M300S8/24P6X6PR
- 2) encoder model EL 53 B ordering code: FEL53B1100S5/28P6X3MR
- 3) encoder model EAM 53 B ordering code: FEAM53B16/4096G8/28PPX6X3MER

Complete ordering code example:

FE1500A-FEH30M300S8/24P6X6PR

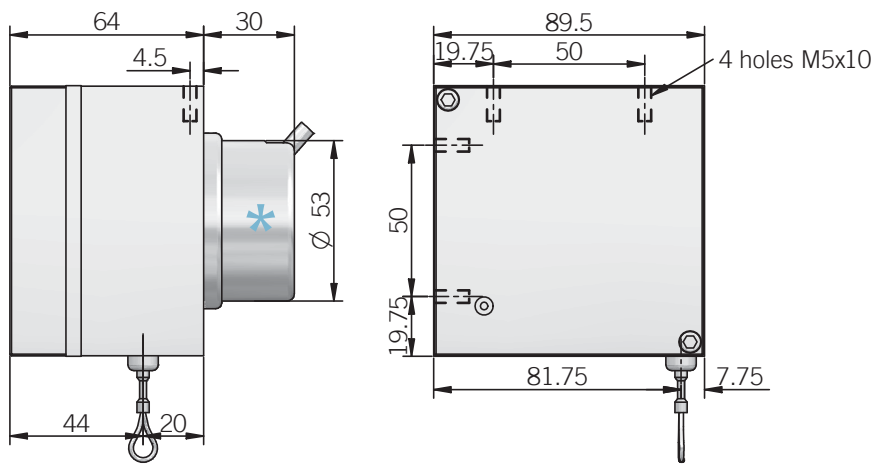
FE 1500

* EH30M encoder application



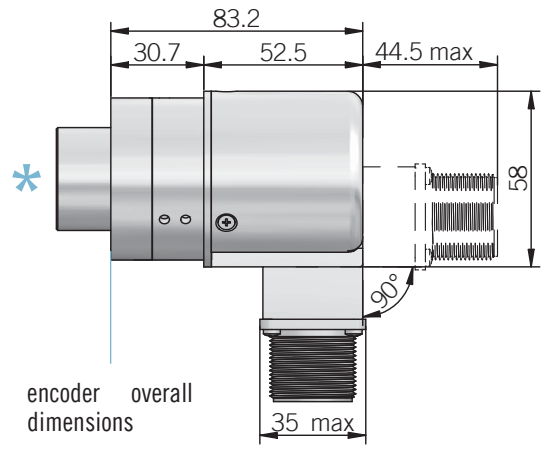
FE 4000

* EH30M encoder application



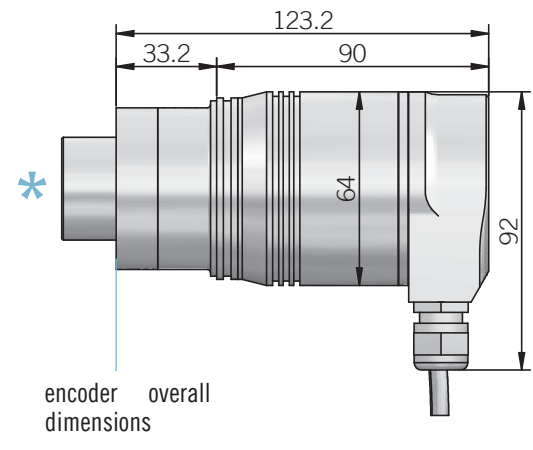
FEL 53 B

incremental encoder application



FEAM 53 B

multiturn absolute encoder application



General specifications

Model	FE 1500	FE 4000
Linearity error	± 0,75 mm	± 2 mm
Coil extent (1 turn)	120	220

Incremental encoder application

Resolution	Pulses	Pulses
1 mm	120	220
0,4 mm	300	550
0,1 mm	1200	2200

For specific resolutions please contact our offices

Multiturn absolute encoder application

Resolution	Pulses	Pulses
1 mm	120	220
0,4 mm	300	550
0,1 mm	1200	2200

In case of splitted resolutions, output code will be independent of resolution and turn number

	Turns	Turns
	12,5	18

For specific resolutions please contact our offices

For encoder specifications, refer to technical sheets of the following models:

- for EH 30 M see EH 38 encoder
- for EL 53 B see EL 53 encoder
- for EAM 53 B see EAM 58 encoder

Mechanical specifications

Linearity error	± 0,05 % f.s.
Max movement speed	0,85 m/s
Enclosure rating	IP 54 (IEC 60529) For encoder IP rating see related datasheet
Shock	50 G, 11 ms (IEC 60068-2-27)
Vibration	10 G, 10 ... 2000 Hz (IEC 60068-2-6)
Housing material	painted aluminum
Rope material	Dyneema®
Operating temperature	0° ... +60 °C
Storage temperature	-25° ... +70 °C
Weight	500 g (FE 1500) 1100 g (FE 4000)