

Lifting Column LC1600

24 Vdc - load up to 1600 N



» Ordering Key - see page 81

» Glossary - see page 85

» Electric Wiring Diagram - see page 57

Standard Features and Benefits

- For medical and ergonomic automation applications
- Self supporting column in extruded anodized aluminum
- Low weight and extremely quiet operation
- Thomson Whispertrak™ drive technology
- High load torque capability
- Maintenance free
- Dynamic braking and load holding brake
- Electronic limit switches and mid-stroke protection

General Specifications

Parameter	LC1600
Screw type	trapezoidal
Internally restrained	yes
Manual override	no
Dynamic braking	yes
Holding brake	yes
End of stroke protection	electronic limit switches (ELS)
Mid stroke protection	yes
Motor protection	no
Motor connection	cable
Motor connector LX version NX and NE versions	flying leads Molex 8 pin plug
Certificates	CE
Options	ELS encoder position feedback

Performance Specifications

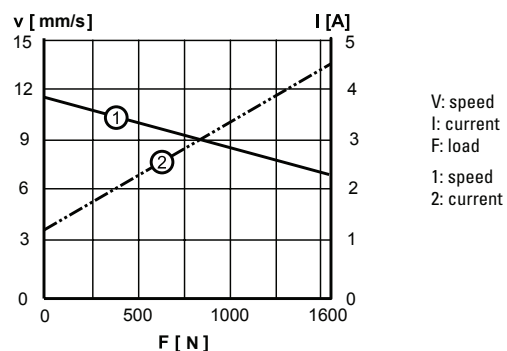
Parameter		LC1600
Maximum load	[N]	1600
Maximum load torque, dynamic / static	[Nm]	200 / 500
Speed, at no load / at maximum load	[mm/s]	11 / 6.5
Available input voltages	[Vdc]	24
Standard stroke lengths (S)	[mm]	200, 250, 300, 350, 400
Operating temperature limits	[°C]	0 to +40
Full load duty cycle @ 20 °C	[%]	10
Maximum on time	[s]	60
Maximum sound level	[dB]	45
Lead cross section	[mm ²]	1.5
Standard cable length LX version NX and NE versions	[mm]	900 1900
Protection class		IP44

Compatible Controls

Control model	See page
DCG-154 for operation of single unit	66
DCG-254 for synchronous operation of two units	66

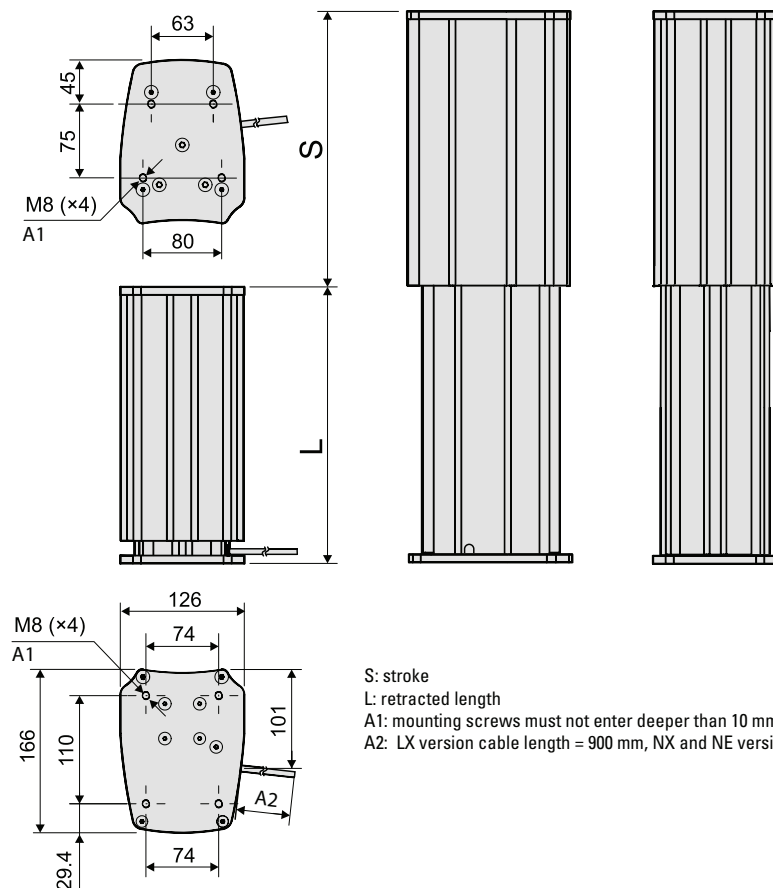
Performance Diagrams

Speed and Current vs. Load



Lifting Column LC1600

24 Vdc - load up to 1600 N



S: stroke
 L: retracted length
 A1: mounting screws must not enter deeper than 10 mm.
 A2: LX version cable length = 900 mm, NX and NE versions = 1900 mm.

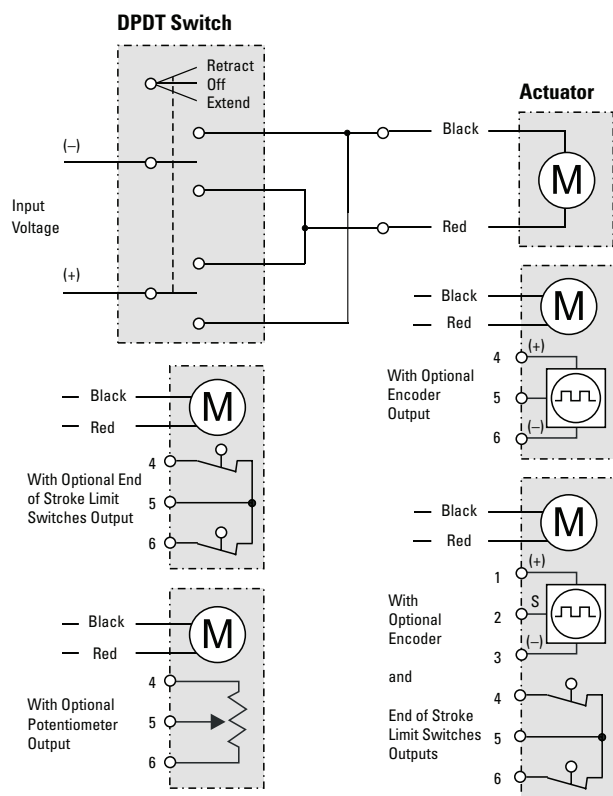
Stroke, retracted length and weight relationship						
Ordering stroke (S)	[mm]	200	250	300	350	400
Minimum retracted length (L min)	[mm]	380	430	480	581	631
Weight of unit	[kg]	9.1	9.8	10.5	11.8	12.4

The desired ordering stroke (S) will determine the minimum retracted length (L min) and the weight of the unit. The table provides the corresponding minimum retracted length (L min) and weight values to each of the available standard stroke lengths (S).

Electrical Wiring Diagrams

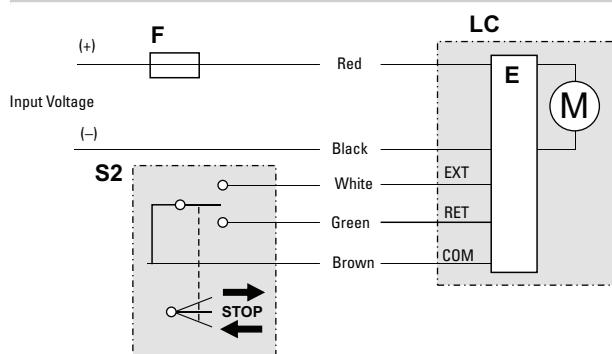
DC-actuators

Electrak PPA-DC



Connect the black lead to positive and red to negative to extend the actuator. Change polarity to retract the actuator. The encoder is supplied with 4,5 - 12 Vdc between terminals 4 or 1 and 6 or 3 and the pulse train signal is generated on terminal 5 or 2. The potentiometer output has 0 ohm between terminal 4 and 5 when the actuator is fully retracted.

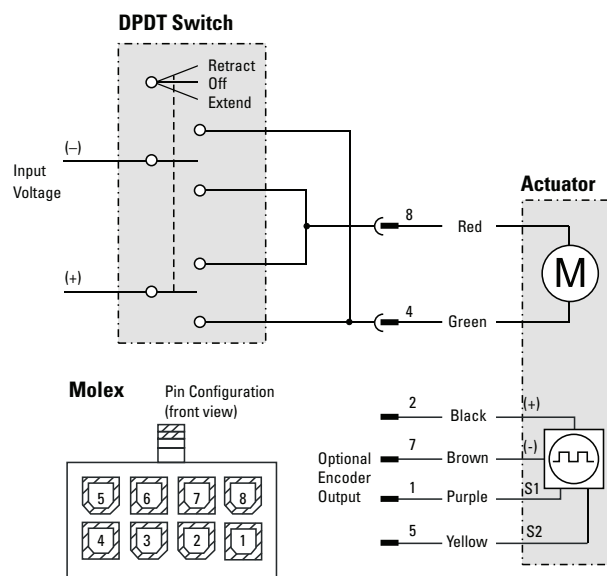
LC1600



Connect the white (EXT) and brown (COM) leads to extend the actuator. To retract the actuator connect the green (RET) and brown (COM) leads. The actuator will automatically switch off when reaching the ends of stroke or a mid-stroke overload.

With encoder feedback (NE) or with no feedback options (NX): For the LC1600, only use the NE and NX versions with the DCG control.

LC2000 / 3000, LM80-H/ -V / -I



Connect the green lead to positive and red to negative to extend the actuator. Change polarity to retract the actuator. The encoder is supplied with 5 - 18 Vdc on pin 2 and 7 and the two pulse train signals are generated on pin 1 and 5.

Ordering Keys

Lifting Columns

LC1600, LC2000, LC3000				
1	2	3	4	5
LC2000	N	24	-400341	NX
1. Model LC1600 = LC1600 LC2000 = LC2000 LC3000 = LC3000 2. Type N = standard 3. Supply voltage 24 = 24 VDC (1) see more on page 39	4. Stroke and retracted length LC1600: -200380 = 200 and 380 mm -250430 = 250 and 430 mm -300480 = 300 and 480 mm -350580 = 350 and 581 mm -400630 = 400 and 631 mm LC2000: -400341 = 400 and 341 mm (1) see more on page 39 LC3000: -400530 = 400 and 530 mm (1) see more on page 41	5. Connection, electronic limit switches and encoder options LC1600: LX = Cable (L = 900 mm), flying leads, electronic limit switches NE = Cable (L = 1900 mm), Molex connector, encoder feedback ⁽²⁾ NX = Cable (L = 1900 mm), Molex connector, no encoder feedback ⁽³⁾ LC2000, LC 3000: NE = Cable (L = 1900 mm), Molex connector, encoder feedback ⁽⁴⁾ NX = Cable (L = 1900 mm), Molex connector, no encoder feedback (1) This is just an example, see section Ordering Stroke, Retracted Length and Weight on page 39 (LC2000) and page 41 (LC3000) for directions on how to calculate this number. (2) Encoders are used when synchronizing multiple units. This option may only be used in conjunction with the DCG-254 control. (3) This option may only be used in conjunction with the DCG-154 control. (4) Encoders are used when synchronizing multiple units.		

DMD			
1	2	3	4
DMD24 -	10B5 -	16	PO
1. Model and input voltage DMD12 - = DMD, 12 Vdc DMD24 - = DMD, 24 Vdc DMD36 - = DMD, 36 Vdc	2. Dynamic load capacity, screw type and maximum speed 05A5 - = 1100 N, acme, 54 mm/s 10A5 - = 2250 N, acme, 30 mm/s 20A5 - = 2250 N, acme, 15 mm/s 05B5 - = 2250 N, ball, 61 mm/s 10B5 - = 4500 N, ball, 30 mm/s 20B5 - = 4500 N, ball, 15 mm/s 21B5 - = 6800 N, ball, 15 mm/s	3. Stroke 04 = 4 inch (101,6 mm) 06 = 6 inch (152,4 mm) 08 = 8 inch (203,2 mm) 10 = 10 inch (254,0 mm) 12 = 12 inch (304,8 mm) 14 = 14 inch (355,6 mm) 16 = 16 inch (406,4 mm) 18 = 18 inch (457,2 mm) 20 = 20 inch (508,0 mm) 24 = 24 inch (609,6 mm)	4. Options¹ PO = potentiometer ¹ Leave position blank for no option.

DMA			
1	2	3	4
DMA22 -	20A5 -	06	
1. Model and input voltage DMA22 - = DMA, 1 × 230 Vac DMA42 - = DMA, 3 × 400 Vac	2. Dynamic load capacity, screw type and maximum speed 05A5 - = 1100 N, acme, 54 mm/s ¹ 10A5 - = 2250 N, acme, 30 mm/s 20A5 - = 2250 N, acme, 15 mm/s 05B5 - = 2250 N, ball, 61 mm/s 10B5 - = 4500 N, ball, 30 mm/s 20B5 - = 4500 N, ball, 15 mm/s 21B5 - = 6800 N, ball, 15 mm/s	3. Stroke 04 = 4 inch (101,6 mm) 06 = 6 inch (152,4 mm) 08 = 8 inch (203,2 mm) 10 = 10 inch (254,0 mm) 12 = 12 inch (304,8 mm) 14 = 14 inch (355,6 mm) 16 = 16 inch (406,4 mm) 18 = 18 inch (457,2 mm) 20 = 20 inch (508,0 mm) 24 = 24 inch (609,6 mm)	4. Options² PO = potentiometer ¹ 05A5 not possible with 400 Vac input voltage. ² Leave position blank for no option.