

# SG-P12-040-005-15-HH-52XX-00000

## PLANETARY GEARBOXES

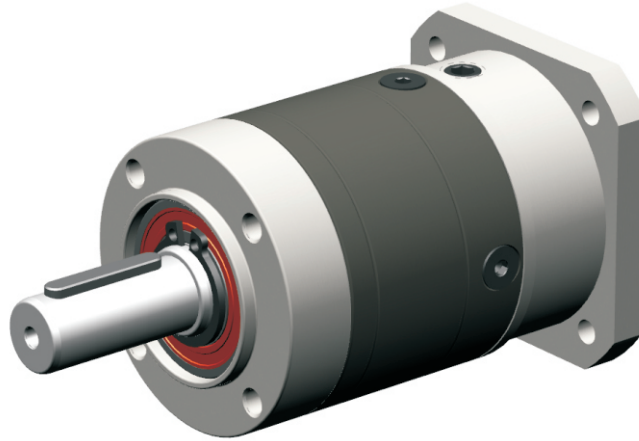
SG 040

$i=005$

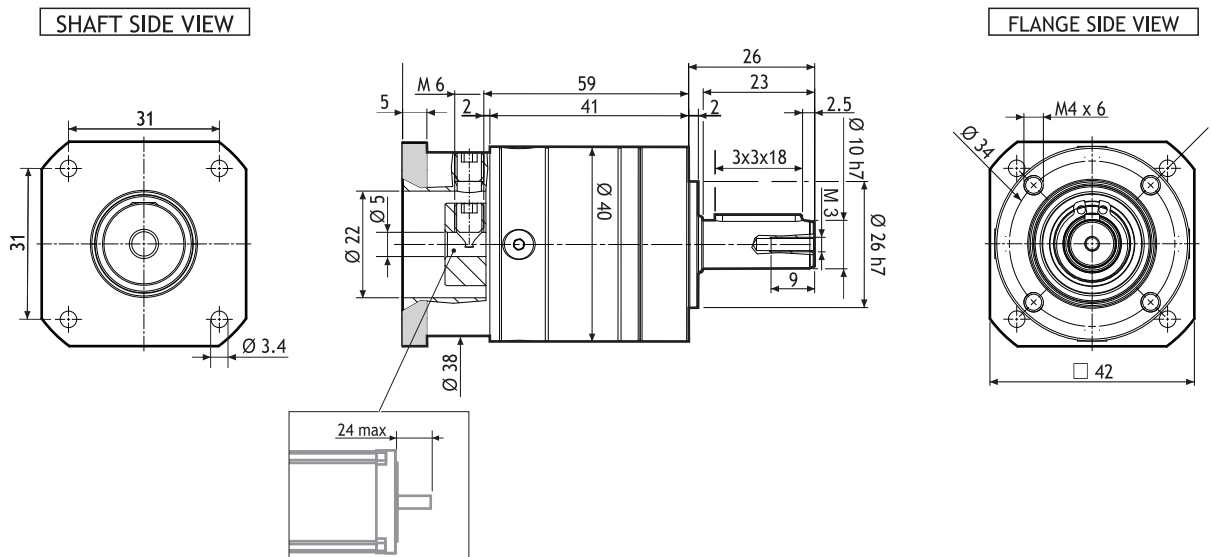
$\varphi < 15'$

MADE IN ITALY

IP64

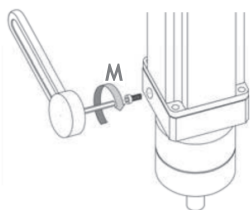


## Dimensions (Units:mm)



MODEL	Rated output torque [Nm]	Maximum acceleration output torque [Nm]	Emergency step output torque [Nm]	Backlash [arcmin]	Nominal input speed [min <sup>-1</sup> ]	Maximum momentary input speed [min <sup>-1</sup> ]	Torsional stiffness [Nm/arcmin]	Maximum radial force applying on output shaft [N]	Maximum axial force applying on output shaft [N]	Gear efficiency [%]	Gear moment of inertia [Kg <sup>m</sup> ²]
SG-P12-040-005-15-HH-52XX-00000	12	18	30	<15'	5000	8000	0.8	220	200	98	1.6x10 <sup>-6</sup>

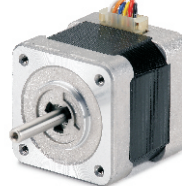
## Suggested motors



103-H5205 SERIES



103-H5208 SERIES



103-H5210 SERIES



MOUNTING OPERATION MODE:

■ Tightening torque M=5 Nm

■ Locking bolt M4

■ R.T.A. Quality Control