

# SG P12-040-010-15-R2-0100

## PLANETARY GEARBOXES

SG 040

$i=010$

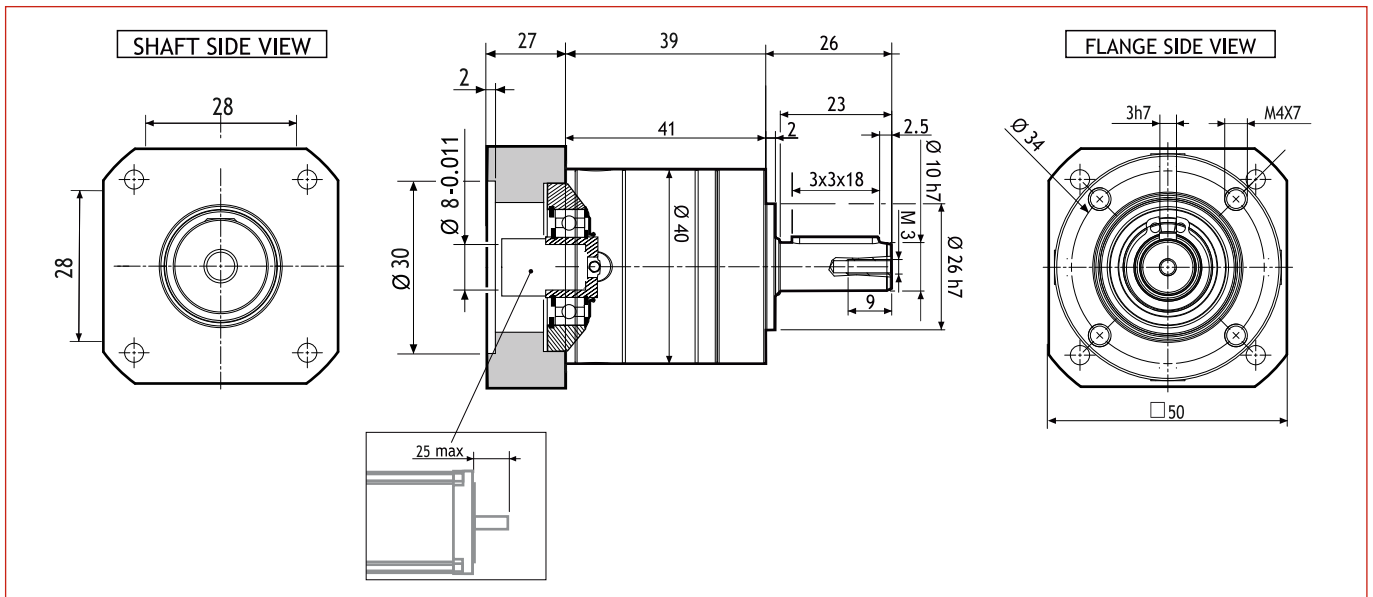
$\varphi < 15'$

MADE IN ITALY

IP64

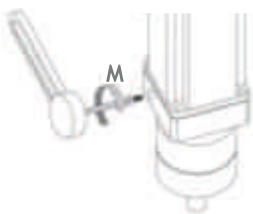


## Dimensions (Units:mm)



MODEL	Rated output torque [Nm]	Maximum acceleration output torque [Nm]	Emergency step output torque [Nm]	Backlash [arcmin]	Nominal input speed [min <sup>-1</sup> ]	Maximum momentary input speed [min <sup>-1</sup> ]	Torsional stiffness [Nm/arcmin]	Maximum radial force applying on output shaft [N]	Maximum axial force applying on output shaft [N]	Gear efficiency [%]	Gear moment of inertia [Kg <sup>m</sup> ²]
SG-P12-040-010-15-R2-0100	6	9	25	15'	5000	8000	0.8	220	200	98	1.2x10 <sup>6</sup>

## Suggested motors



R2AA04010FXH1CM



MOUNTING OPERATION MODE: ■ Tightening torque M=5 Nm ■ Locking bolt M4 ■ R.T.A. Quality Control